

PATENT ABSTRACTS OF JAPAN

(11)Publication number : 09-259749
 (43)Date of publication of application : 03.10.1997

(51)Int.Cl. H01J 5/50
 H01J 61/36

(21)Application number : 08-068810 (71)Applicant : OPUTONIKUSU KK

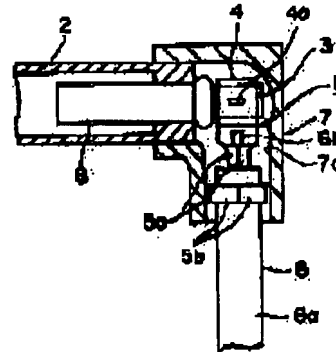
(22)Date of filing : 25.03.1996 (72)Inventor : YAMASHITA
 TOYOMI
 SATO SEIICHI

(54) SMALL-SIZED FLUORESCENT LAMP

(57)Abstract:

PROBLEM TO BE SOLVED: To provide a small-sized fluorescent lamp in which a lead wire can be firmly and simply connected to a conducting wire even without depending on soldering.

SOLUTION: A small-sized fluorescent lamp is composed of a glass-made bulb 2, an electrode 8 inserted into the bulb 2, a bar-like lead wire 3 being led outside the bulb 2 from the electrode 8, and a connector 1 connecting a conducting wire 6 to the lead wire 3. The connector 1 is composed of a press-in connection portion 4 pressing in the lead wire 3, and a calking connection portion 5 for the conducting wire 6 extended from the press-in connection portion 4.



LEGAL STATUS

[Date of request for examination]

[Date of sending the examiner's
 decision of rejection]

[Kind of final disposal of application
other than the examiner's decision
of rejection or application
converted registration]

[Date of final disposal for
application]

[Patent number]

[Date of registration]

[Number of appeal against
examiner's decision of rejection]

[Date of requesting appeal against
examiner's decision of rejection]

[Date of extinction of right]

(19)日本特許庁(J P)

(12)公開特許公報(A)

(11)特許出願公開番号

特開平9-259749

(43)公開日 平成9年(1997)10月3日

(51)Int. Cl. ⁴	特許庁番号	片内番号	PI	技術表示箇所
H01J 5/50	61/38		H01J 5/50	B
	61/38		61/38	A

特許請求の範囲 請求項の数は 04 (全 4 項)

(21)出願番号 特願平9-69810
(22)出願日 平成8年(1996)8月28日

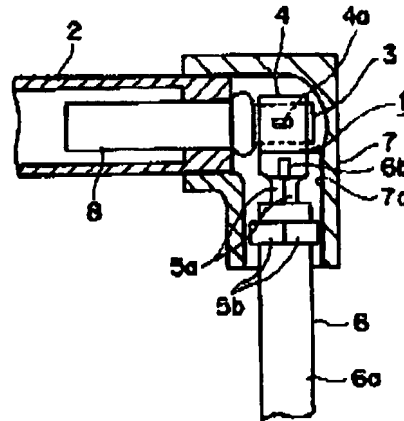
(71)出願人 00013775
 オプトニクス株式会社
 東京都台東区東上野1丁目19番11号
 (72)発明者 山下 豊美
 東京都台東区東上野1丁目19番11号オプト
 ニクス株式会社内
 (72)発明者 佐藤 謙一
 東京都台東区東上野1丁目19番11号オプト
 ニクス株式会社内
 (74)代理人 弁護士 伊藤 健雄

(54)【発明の名称】 小型蛍光灯ランプ

(57)【要約】

【課題】 半田付けによらずとも導線リード線をしっかりと固着に接続することのできるように工夫した小型蛍光灯ランプを提供する。

【解決手段】 ガラス製のバルブと、このバルブ内に挿入させた電極と、この電極より真空バルブ外へ導出させる管状のリード線と、このリード線に導線を接続させるためのコネクターとから成り、このコネクターは、前記リード線を圧入させる圧入接続部とこの圧入接続部より延設させた両記電極のかしめ接続部とを有するもので構成する。



JP,09-259749,A

STANDARD ZOOM-UP ROTATION No Rotation

PREVIOUS PAGE

NEXT PAGE

DETAIL

Albany
Atlanta
Brussels
Denver
Los Angeles

**McKenna Long
& Aldridge**^{LLP}
Attorneys at Law

303 Peachtree Street, NE • Suite 5300 • Atlanta, GA 30308
Tel: 404.527.4000 • Fax: 404.527.4198
www.mckennalong.com

New York
Philadelphia
San Diego
San Francisco
Washington, D.C.

ERIC J. NUSS
(202) 496-7537

EMAIL ADDRESS
enuss@mckennalong.com

May 17, 2007

VIA EMAIL & UPS

Mr. Young Ho Kim
Y.H. Kim International Patent & Law Office
Kamryoung Bldg., 3rd Floor
153-29 Samsung-dong
Kangnam-ku, Seoul 135-090
KOREA

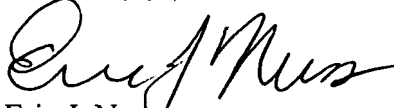
Re: U.S. Patent Application No. 10/025,911
Title: LAMP APPARATUS FOR LIQUID CRYSTAL DISPLAY
Inventor YOU, Dong Jae
Your Refs: OP1216RRR-LCD-US ; F01-316US006R1R1R1
Our Ref: 8733.543
Attorney: Eric J. Nuss

Dear Mr. Kim:

Thank you for your letter of April 23, 2007. In accordance with the instructions therein we prepared and filed an Information Disclosure Statement for the above referenced application with the U.S. Patent and Trademark Office. Copies are enclosed for your records.

We will report further communications from the Patent Office as they are received. Thank you for allowing us to be of service.

Very truly yours,


Eric J. Nuss

EJN:kck
Enclosures